

Elate



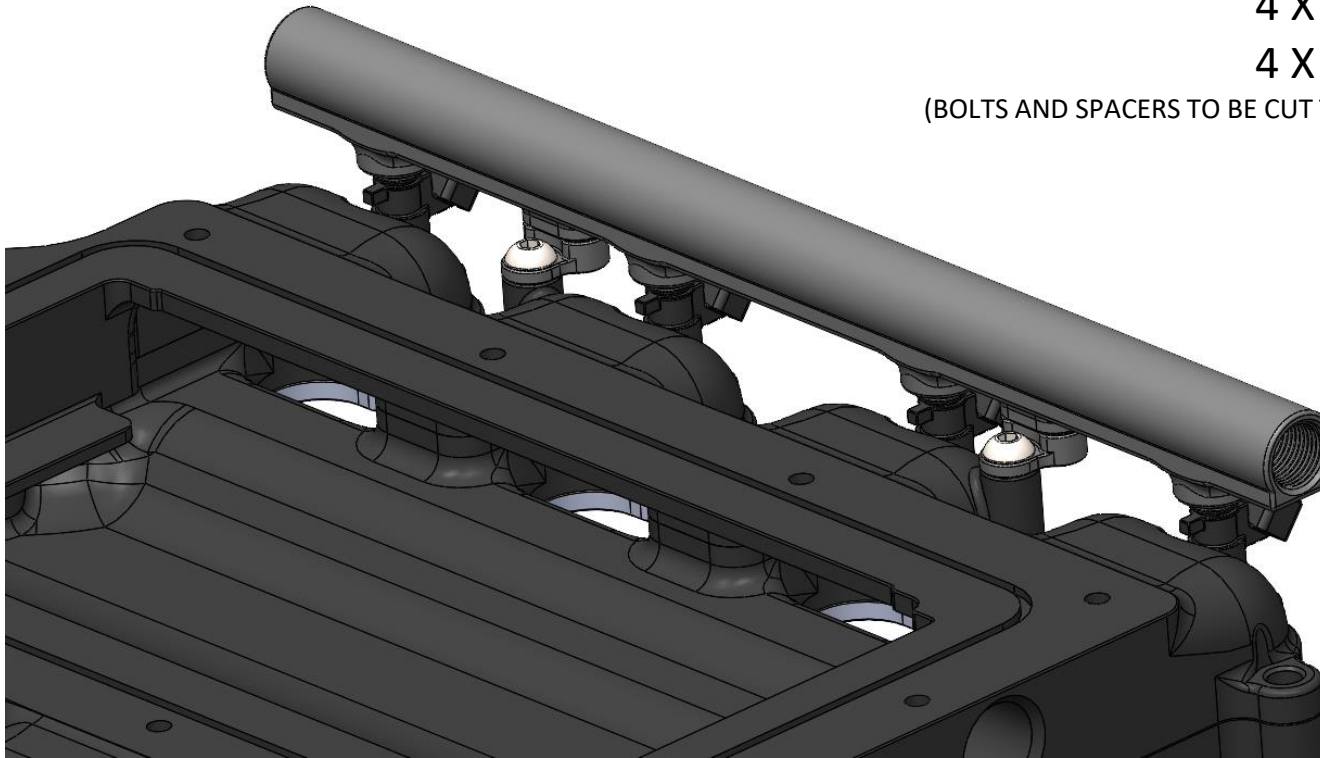
PRODUCT PICTURE



PRODUCT INCLUSIONS

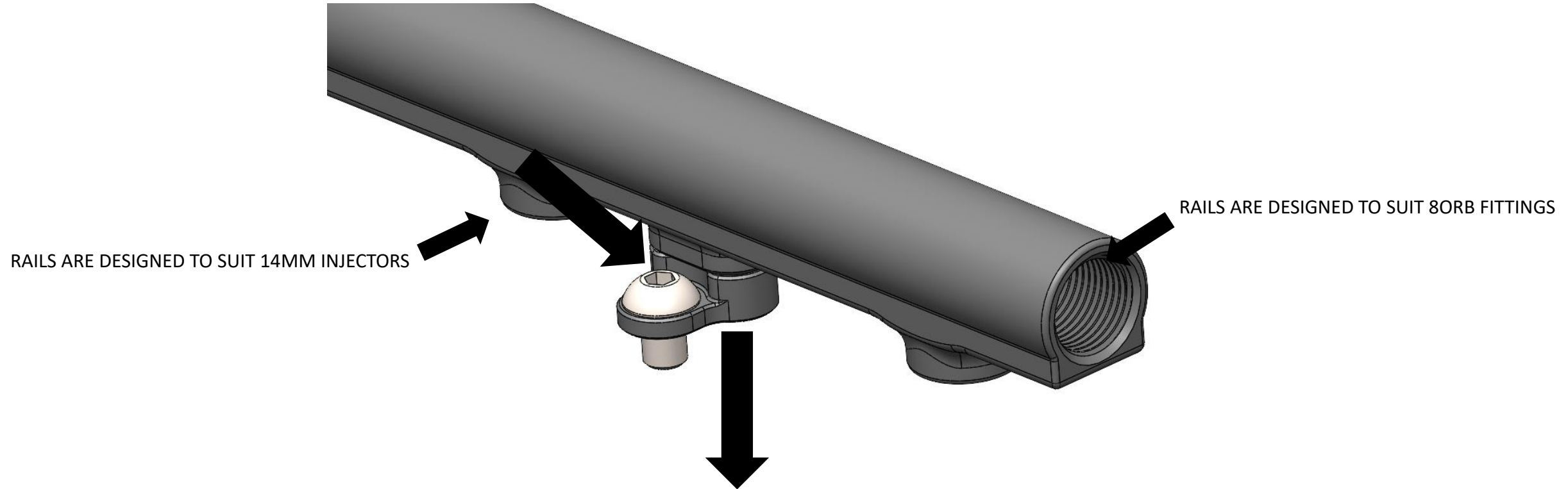
KIT INCLUSIONS : ELATE 2UR-GSE (ISF) RAILS (PAIR)
4 X M8X30 BUTTON HEAD BOLTS
4 X RAIL SPACERS

(BOLTS AND SPACERS TO BE CUT TO SIZE TO SUIT VARIOUS INJECTOR CONFIGS)



****NO SPACERS ARE NEEDED WHEN RAILS ARE USED WITH AN ELATE SC MANIFOLD AND SHORT BOSCH INJECTORS****

PRODUCT NOTES



NOTE : WHEN USING BOLTS LONGER THAN 16MM THE RAIL MOUNTS WILL NEED TO BE LOOSTENED IN ORDER TO GET THE BOLT TO SLIDE INTO PLACE.